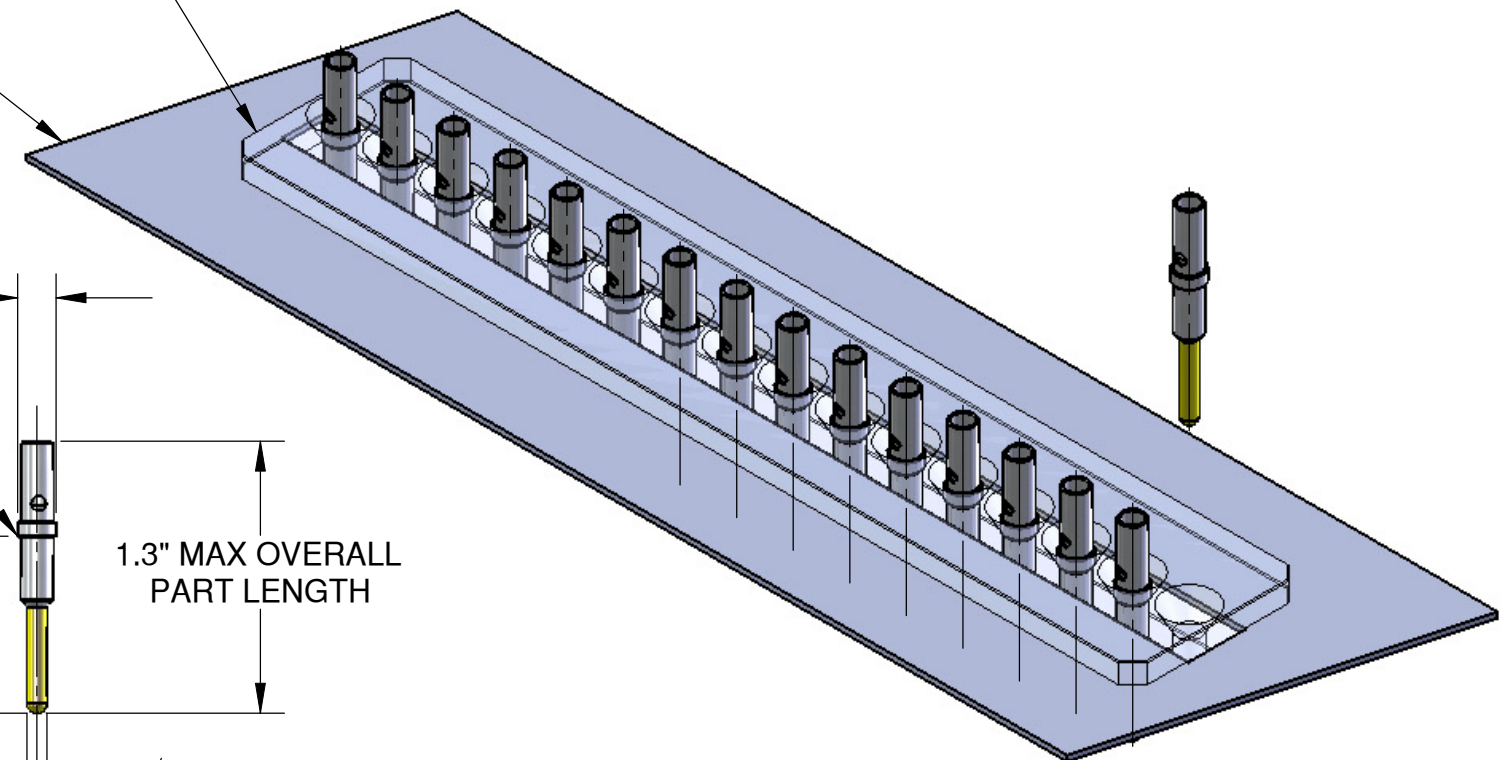


REVISIONS			
REV.	DESCRIPTION	DATE	APPROVED
A	INITIAL RELEASE		

IMPORTANT NOTE: THESE DIMENSION LIMITATIONS ARE FOR THE STANDARD CDP-2000 PLATING TOOL. OTHER SIZE PARTS MAY BE EVALUATED USING CUSTOM SIZED PLATING TOOL COMPONENTS.

CARTRIDGE

CARRIER BELT



ϕ .20" MAXIMUM BODY FEATURE

PART MUST HAVE SHOULDER

1.3" MAX OVERALL PART LENGTH

.60" MAXIMUM LENGTH UNDER SHOULDER

.25" TO .31" NOMINAL PITCH DISTANCE

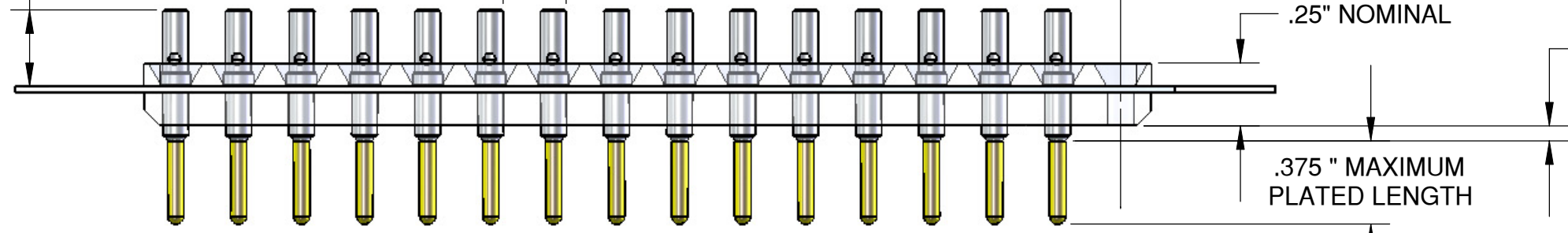
0.7" MAXIMUM HEIGHT ABOVE SHOULDER

ϕ .160" MAXIMUM PLATED DIMENSION

.050" MINIMUM DISTANCE TO PREVENT WICKING OF GOLD SOLUTION ONTO CARTRIDGE.

.25" NOMINAL

.375" MAXIMUM PLATED LENGTH



UNLESS OTHERWISE SPECIFIED:
DIMENSIONS ARE IN INCHES
TOLERANCES ARE:
FRACTIONAL: \pm 1/32
ANGULAR: MACH \pm BEND \pm 1/2 DEG
TWO PLACE DECIMAL: \pm .01
THREE PLACE DECIMAL: \pm .005

APPROVALS	DATE
DRAWN D. GRAMAROSSA	FEB 2010
CHECKED	
ENG APPR.	
MFG APPR.	

TECHNIC, INC. / SURFACE FINISHING TECHNOLOGIES

TITLE:
CDP-2000 CONTROLLED DEPTH PART SIZE CONFIGURATION

MATERIAL:
NONE

FINISH:
NONE

DO NOT SCALE DRAWING

SIZE B	DWG. NO. A3X021-01	REV A
------------------	------------------------------	-----------------

QTY	NEXT ASSY	USED ON	APPLICATION

PROPRIETARY AND CONFIDENTIAL

THE INFORMATION CONTAINED IN THIS DRAWING IS THE SOLE PROPERTY OF SURFACE FINISHING TECHNOLOGIES. ANY REPRODUCTION IN PART OR AS A WHOLE WITHOUT THE WRITTEN PERMISSION OF SURFACE FINISHING TECHNOLOGIES IS PROHIBITED.