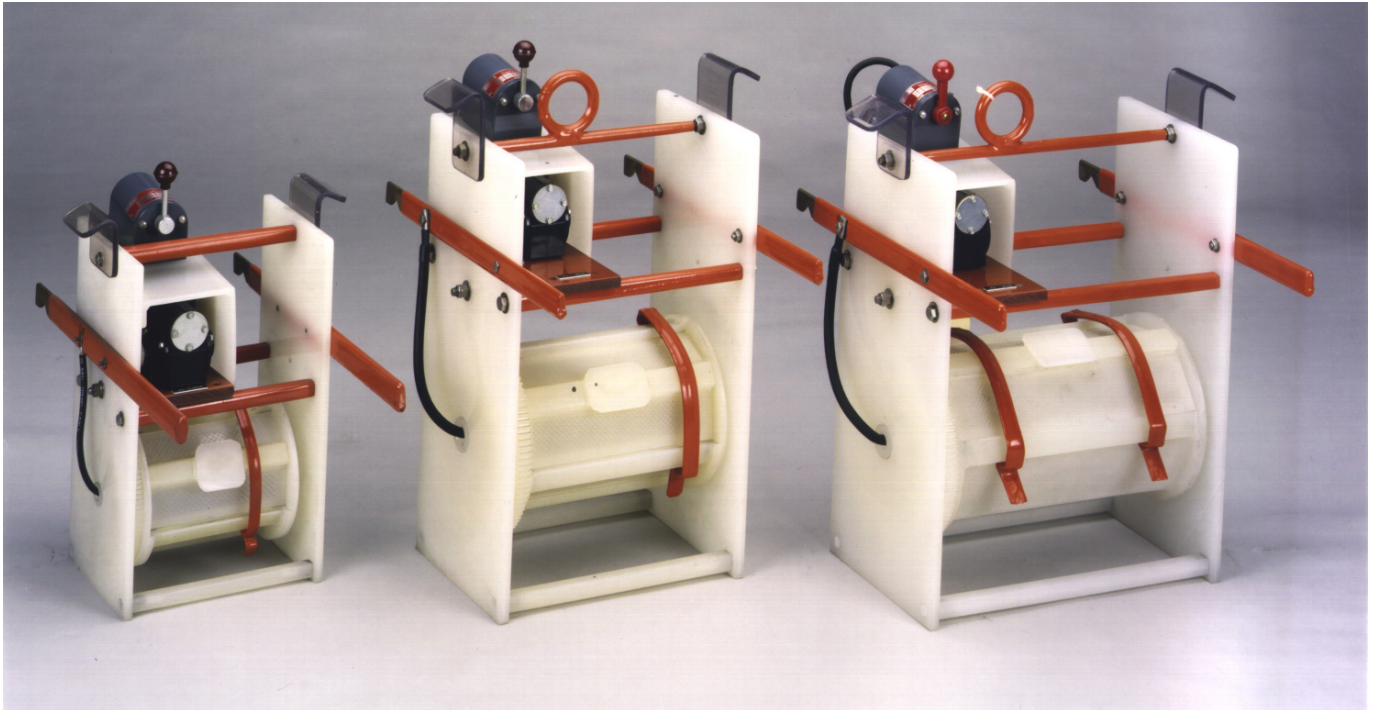


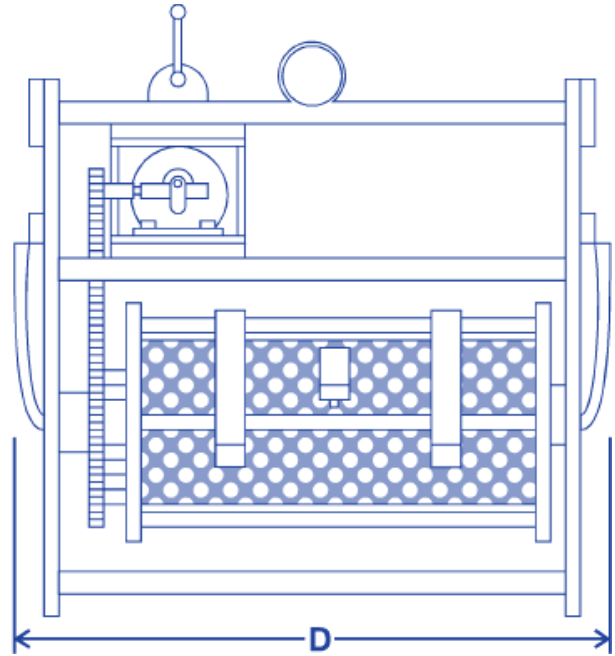
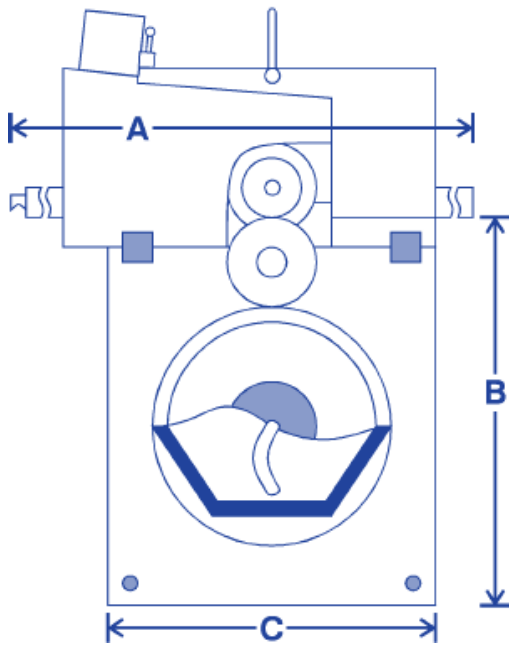


Portable Plating Barrels



All styles are available in polypropylene or Lucite. The 2" x 4" and 3" x 5" models are normally stocked in polypropylene, most other models are stocked with perforated polypropylene panels. All sizes are available with $\frac{1}{16}$ " or larger perforations. The 2" x 4" and 3" x 5" models are stocked with $\frac{1}{16}$ " perforations, most other models are stocked with $\frac{3}{32}$ " perforations. All styles are available mesh lined (.007, .014 and .021 mesh sizes).

Size	Dangler Contact				Center Rod Contact			
	Perforated		Mesh		Perforated		Mesh	
	Standard	Var. Speed	Standard	Var. Speed	Standard	Var. Speed	Standard	Var. Speed
2" x 4"	X	NA	X	NA	NA	NA	NA	NA
3" x 5"	X	NA	X	NA	NA	NA	NA	NA
4" x 6"	X	X	X	X	NA	NA	NA	NA
5" x 9"	X	X	X	X	NA	NA	NA	NA
6" x 12"	X	X	X	X	X	X	X	X
8" x 12"	X	X	X	X	X	X	X	X
8" x 18"	X	X	X	X	X	X	X	X
10" x 18"	X	X	X	X	X	X	X	X
12" x 24"	X	X	X	X	X	X	X	X



All indicated cylinder dimensions are internal dimensions. When ordering a portable barrel, please refer to the accompanying illustration for full exterior dimensions.

Critical parameters are: cathode rod spacing (A), depth of barrel (B), width of barrel (C) and barrel length (D).

Size	A	B	C	D
2" x 4"	11 ¹ / ₄ "	7 ¹ / ₈ "	3 ⁵ / ₈ "	7"
3" x 5"	11 ¹ / ₄ "	8 ¹ / ₂ "	4 ³ / ₄ "	8 ¹ / ₂ "
4" x 6"	16 ³ / ₄ "	9 ⁵ / ₁₆ "	7 ¹ / ₈ "	11"
5" x 9"	17"	13"	9"	14"
6" x 12"	17"	13"	9"	17"
8" x 12"	17"	14"	11"	17"
8" x 18"	22 ⁷ / ₈ "	16 ⁵ / ₈ "	13"	23 ⁵ / ₈ "
10" x 18"	22 ⁷ / ₈ "	16 ⁵ / ₈ "	13"	23 ⁵ / ₈ "
12" x 24"	23"	20"	17"	30 ³ / ₈ "