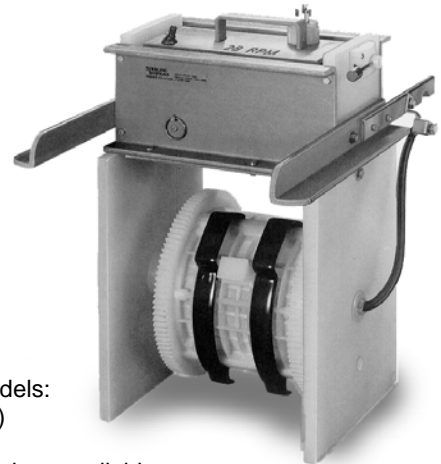
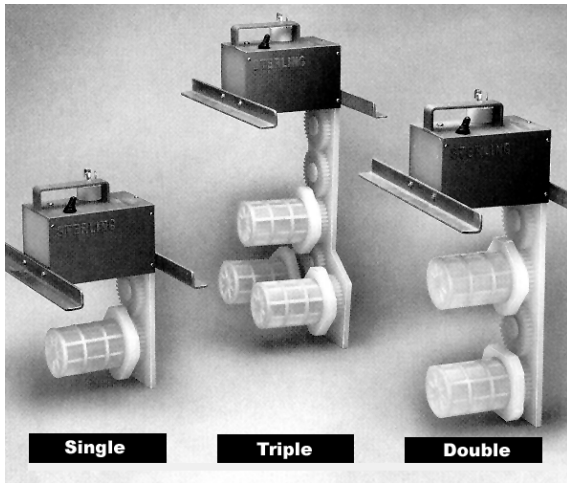




## Sterling Portable Plating Barrels

All hardware below-solution-level is constructed from stainless steel with titanium hardware available in models 44 through 1024. All barrels featured are with either rod or ball danglers, button and strip contact are available as special orders. Cylinders of models 44 through 56 are constructed with mesh end panels to improve solution transfer and to prevent product adhesion to the barrel ends. Motors in models 66 through 1024 feature a quick acting clutch to permit proper positioning of the cylinder panels during loading and unloading. Both mesh and square hole cylinder panels are interchangeable. Cylinder panels utilize a tongue-and-groove design to prevent small parts from being caught in the panel seams.



Mesh sizes available for all models:  
C (.020"), C-1 (.010"), B (.030")

Mesh or square hole cylinders sizes available  
in models 66 through 1024: (0.093" and 0.220")

Mini Barrels, HD24 models, feature molded construction and "all around" mesh design. In sizes from 2½" x 4" to 5" x 6", they are also available as "extended" models which increase side panel depth by 3".

Model	Cylinder Size	Perforations		Dangler		No Load Weight	Load Size	Motor Speed (rpm)*
		Mesh	Sq.	Rod	Ball			
HD24-Single	1-2½"x4"	•	N/A	•	•	6.0 lbs	6in <sup>3</sup>	10
HD24-Tandom	2-2½"x4"	•	N/A	•	•	7.5 lbs	12in <sup>3</sup>	10
HD24-Triple	3-2½"x4"	•	N/A	•	•	9.0 lbs	18in <sup>3</sup>	10
44	4"x4"	•	N/A	•	•	7.5 lbs	17in <sup>3</sup>	10
46	4"x6"	•	N/A	•	•	8 lbs	25in <sup>3</sup>	10
56	5"x6"	•	N/A	•	•	8.5 lbs	47in <sup>3</sup>	10
66	6"x6"	•	•	•	•	23 lbs	56in <sup>3</sup>	28, 57, & 94
612	6"x12"	•	•	•	•	25 lbs	112in <sup>3</sup>	28, 57, & 94
8512	9"x12"	•	•	•	•	33 lbs	190in <sup>3</sup>	28, 57, & 94
918	9"x18"	•	•	•	•	38 lbs	285in <sup>3</sup>	28, 57, & 94
1018	10"x18"	•	•	•	•	45 lbs	425in <sup>3</sup>	28, 57, & 94
1024	10"x24"	•	•	•	•	57 lbs	570in <sup>3</sup>	28, 57, & 94

Other motor speeds and DC available

# Replacement parts – portable plating barrels

## DANGLERS

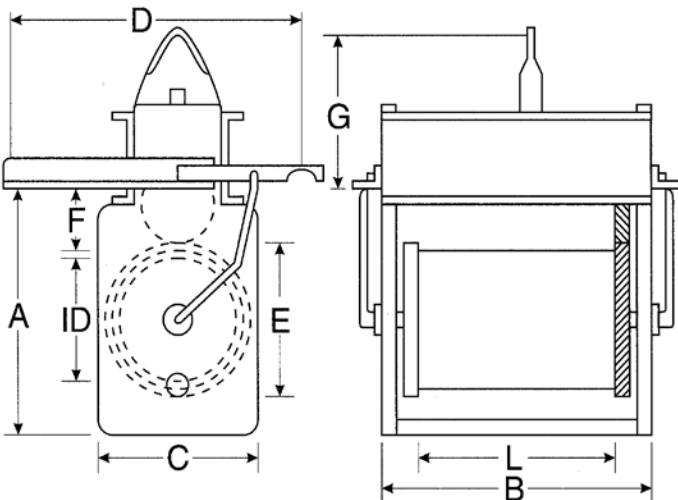
	Part Number
HD24 Ball .....	D24B
Model 44, 46 & 56 (rod) .....	D44R
Model 44, 46 & 56 (ball) .....	D44B
Model 44 (floating rod) .....	D44FR
Model 46 & 56 (floating rod) .....	D46FR
Model 66 & 612 (plastic tip rod) .....	D66R
Model 66 & 612 (1" ball) .....	D66B
Model 66 (floating rod) .....	D66FR
Model 612 (floating rod) .....	D612FR
Model 8512 (plastic tip rod) .....	D8512R
Model 8512 (1" ball) .....	D8512B
Model 8512 (floating rod) .....	D8512FR
Model 918 & 1018 (plastic tip) .....	D918R
Model 918 & 1018 (1 1/4" ball) .....	D918B
Model 918 & 1018 (floating rod) .....	D918FR
Model 1024 (250 amp rod) .....	D1024R-1
Model 1024 (100 amp rod) .....	D1024R-4

## CYLINDERS

Model HD24 (stainless steel)
Model 44 (stainless steel)
Model 44 (titanium)
Model 46 (stainless steel)
Model 46 (titanium)
Model 56 (stainless steel)
Model 56 (titanium)
Model 66 (stainless steel)
Model 66 (titanium)
Model 612 (stainless steel)
Model 612 (titanium)
Model 8512 (stainless steel)
Model 8512 (titanium)
Model 918 (stainless steel)
Model 918 (titanium)
Model 1018 (stainless steel)
Model 1018 (titanium)
Model 1024 (stainless steel)
Model 1024 (titanium)

## DOOR CLAMPS

	Part Number
Model 44 & 46 Plastic Coated (Blue) .....	23-08
Model 56 Plastic Coated (Green) .....	23-09
Model 66 through 1018 Plastic coated ...	23-10



## PANELS

	Part Number
<b>Model 44</b>	
C mesh .....	26-30A
C-1 mesh .....	26-31 A
B mesh .....	26-29A
<b>Model 46 - 56</b>	
C mesh .....	26-30
C-1 mesh .....	26-31
B mesh .....	26-29
<b>Model 44 - 46 End Plate</b>	
C mesh .....	25-13
C-1 mesh .....	25-14
B mesh .....	25-12
<b>Model 56 End Plate</b>	
C mesh .....	25-15
C-1 mesh .....	25-15
B mesh .....	25-16
<b>Model 66 Flat</b>	
C mesh .....	26-34-2
C-1 mesh .....	26-35-2
B mesh .....	26-70-4
0.093 (square hole) .....	26-36-2
<b>Model 66 Curved</b>	
C mesh .....	26-40
C-1 mesh .....	26-41
B mesh .....	26-45-2
<b>Model 612 - 8512 Flat</b>	
C mesh .....	26-34
C-1 mesh .....	26-35
B mesh .....	26-70-1
0.093 (square hole) .....	26-36
0.220 (square hole) .....	26-04
<b>Model 612 - 8512 Curved</b>	
C mesh .....	26-43
C-1 mesh .....	26-44
B mesh .....	26-45
<b>Model 918 - 1018 Flat</b>	
C mesh .....	26-37
C-1 mesh .....	26-38
B mesh .....	26-70
0.093 (square hole) .....	26-39
0.220 (square hole) .....	26-05
<b>Model 918 Curved</b>	
C mesh .....	26-62
C-1 mesh .....	26-63
B mesh .....	26-76
<b>Model 1024</b>	
C mesh .....	26-56
C-1 mesh .....	26-57
B mesh .....	26-59
0.093 (square hole) .....	26-58
0.220 (square hole) .....	26-06

Model	IDxL	A	B	C	D	E	F	G
HD24-S	2 1/2" x 4"	7.2"	6.7"		13"	4.3"		
HD24-D	2 1/2" x 4"	7.2"	6.7"		13"	4.3"		
HD24-T	2 1/2" x 4"	7.2"	6.7"		13"	4.3"		
44	4" x 4"	10 1/8"	6 1/4"	3 3/4"	12"	6 1/2"	3 3/4"	3 1/2"
46	4" x 6"	10 1/8"	6 1/4"	3 3/4"	12"	6 1/2"	3 3/4"	3 1/2"
56	5" x 6"	10 1/8"	6 1/4"	3 3/4"	12"	8 1/2"	3 3/4"	3 1/2"
66	6" x 6"	13 3/8"	11"	9"	15 5/8"	9 1/4"	4 1/8"	8 1/4"
612	6" x 12"	13 3/8"	15"	9"	15 5/8"	9 1/4"	4 1/8"	8 1/4"
8512	9" x 12"	15 7/8"	15"	11 3/8"	19 5/8"	12 1/4"	4 1/8"	8 1/4"
918	9" x 18"	15 7/8"	21"	11 3/8"	19 5/8"	12 1/4"	4 1/8"	8 1/4"
1018	10" x 18"	19 5/8"	24"	11 5/8"	19 5/8"	14 3/4"	4 1/8"	8 1/4"
1024	10" x 24"	19 5/8"	27"	11 5/8"	19 5/8"	14 3/4"	4 1/8"	8 1/4"